

brand	QUELLE
-------	---------------

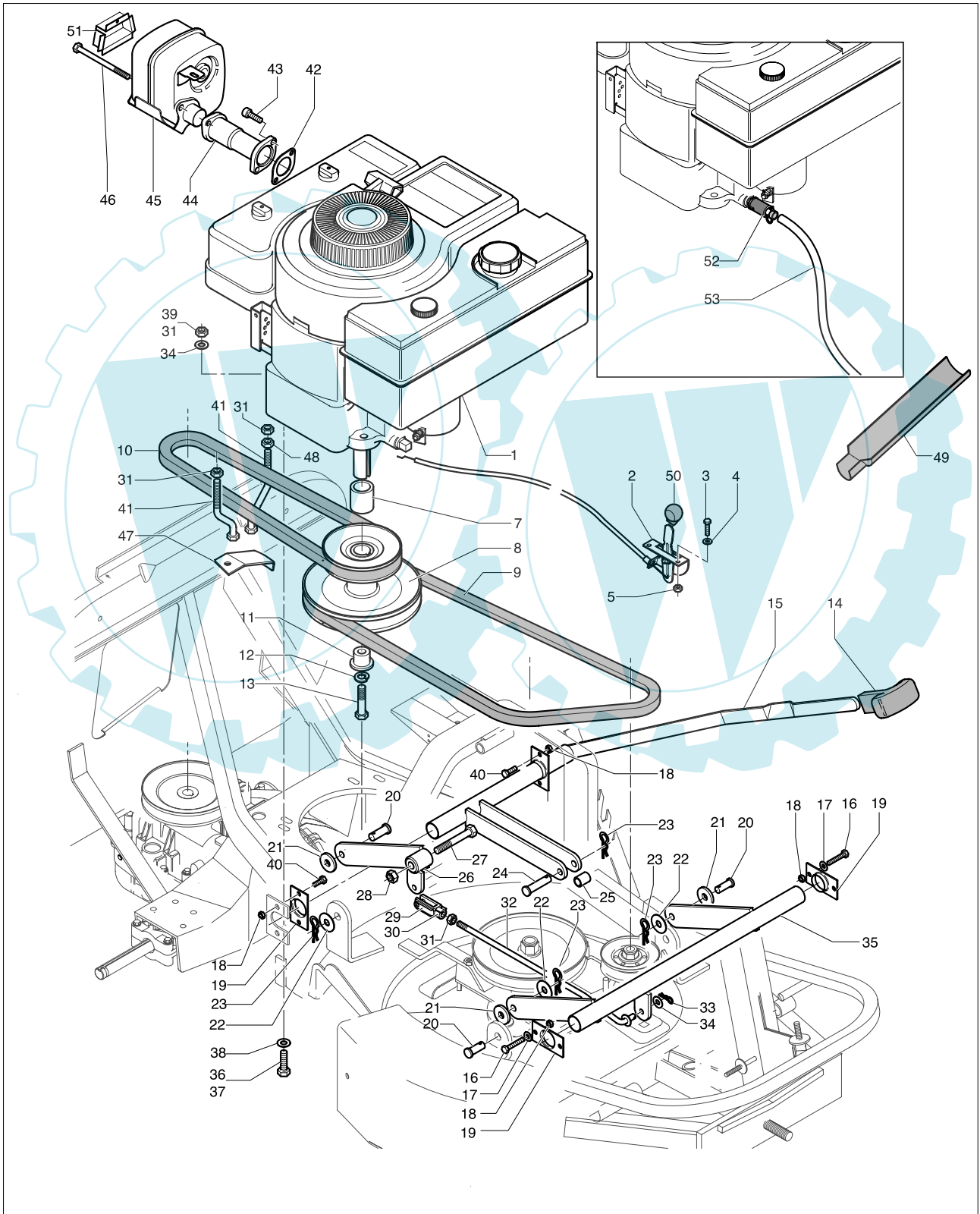
date	JAN/03	SHEET 1/16
------	--------	------------

Model

UNIROPA

Product number

953878363



brand	QUELLE
-------	---------------

date	JAN/03	SHEET 2/16
------	--------	------------

Model

UNIROPA

Product number

953878363

Pos.	PN ELX	PN MEP	DESCRIPTION	Q.ty	NOTE
1	531203380	TECNAT10	motor	1	TVM220-157269G HP 10.5
2	531206972	10303430	accelerator	1	
3	531207838	10830300	screw	2	TE M5x16 UNI 5739-8,8-ZB
4	531207786	10805000	washer	2	5x10x1
5	531208492	20282100	nut	2	M5 H7 UNI7473-ZB
7	531207030	10330370	upper spacer	1	
8	531211155	10330490	pulley	1	
9	531211153	10330480	belt	1	
10	531207010	10330130	belt	1	X13-845 Lp
11	531206857	10301900	lower spacer	1	12X25,3X23,5 Z
12	531206859	10301920	washer	1	D.12 UNI 7980 ZNT
13	531206858	10301910	screw	1	TE 7/16" UNIF L=2"
14	531207024	10330253	knob	1	
15	531206767	10300650	cutter lift complete lever	1	
16	531208425	20228705	screw	4	TE M6x35 UNI 5737-8,8-ZB
17	531205377	10126000	washer	4	6x18x1,5
18	531208491	20281800	nut	8	M6 H8 UNI7473-ZB
19	531206770	10300680	hinge support	3	
20	531206913	10302720	plate lift pin	3	D.10x28
21	531206809	10301170	washer	3	D.10,3X30X3
22	531207989	20113000	washer	3	10x30x2,5
23	531206917	10302760	central elastic split pin	4	D.2.5x50 CE
24	531206912	10302710	plate lift pin	1	D.10x45
25	531206875	10302240	bushing	1	D.11x14x19
26	531206807	10301150	rear leverage	1	
27	531206780	10300830	screw	1	TSPEI M10X70 UNI5933 ZNT
28	531207161	10501160	nut	1	
29	531206797	10301020	kalvas joint	1	M8x32 UNI1676 L=58
30	531206814	10301220	clips for kalvas	1	M8
31	531207982	20106300	nut	3	M8 H8 UNI 5587-6S ZB
32	531206795	10301000	plate lift tie rod	1	
33	531206653	10281400	elastic split pin	1	1,8 x 33
34	531204922	10114200	washer	5	8x16x1,5 ZB
35	531206812	10301200	front leverage	1	
36	531205196	10121700	screw	3	TE M8x35 UNI 5739-8,8-ZB
37	531206945	10303090	screw	1	TE M8X50-8.8-UNI5739 ZB
38	531204904	10066300	washer	4	8x24x2
39	531208599	20404900	nut	3	M8 H10 UNI7473-ZB
40	531208660	20501370	screw	4	TE M6x20 UNI 5739-8,8-ZB
41	531206961	10303280	screw	2	
42	531208577	20330330	gasket	1	
43	531206914	10302730	screw	2	TCEI 5/16"UNCX 5/8"(15,87)
44	531208574	20330280	tube	1	
45	531208578	20330340	silencer	1	
46	531208579	20330350	tie rod	1	
47	531207032	10330390	belt plate	1	
48	531206618	10240300	nut	2	M8 H5 UNI 5589-6S ZB
49	531207031	10330383	funnel oil change	1	
50	531206970	10303403	knob	1	
51	531211168	10330510	deflector	1	
52	531206976	10303460	plug	1	
53	531206978	10303480	tube	1	D17/12

brand	QUELLE
-------	---------------

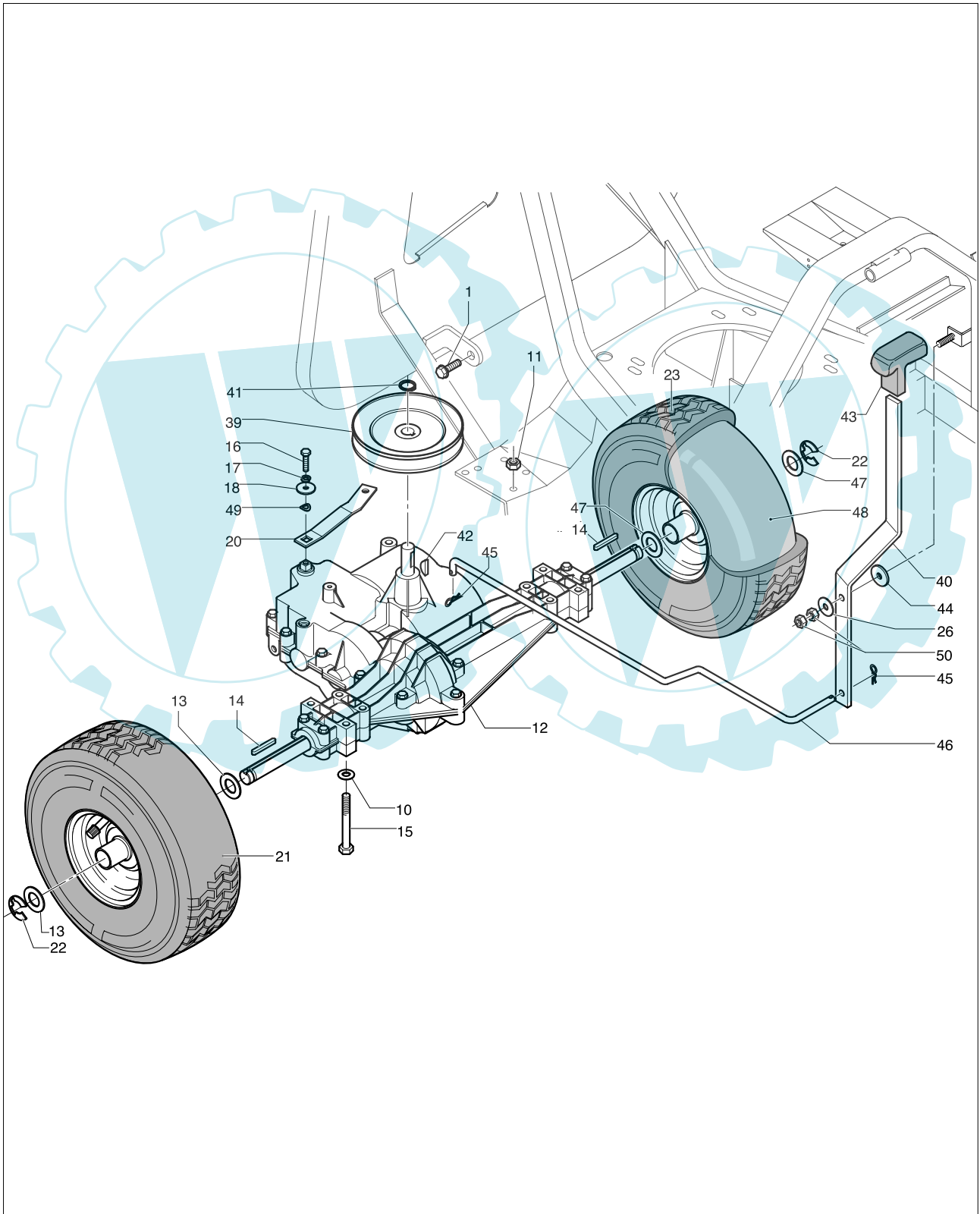
date	JAN/03	SHEET 3/16
------	--------	------------

Model

UNIROPA

Product number

953878363





Service

brand	QUELLE
-------	---------------

ELECTROLUX OUTDOOR PRODUCTS

date	JAN/03	SHEET 4/16
------	--------	------------

Model

UNIROPA

Product number

953878363

Pos.	PN ELX	PN MEP	DESCRIPTION	Q.ty	NOTE
1	531206922	10302810	screw	1	TE M8x20 TRILOBATA
10	531204922	10114200	washer	8	8x16x1,5 ZB
11	531208599	20404900	nut	9	M8 H10 UNI7473-ZB
12	531207003	10330050	gear	1	MST 205/542D
13	531206725	10300160	spacer	3	ITT 20,2x30x1
14	531206726	10300180	tab	2	5x4,7x40
15	531206681	10291000	screw	8	TE M8x60 UNI 5737-8,8-ZB
16	531206803	10301080	screw	2	TE 1/4" UNF 5/8"(16)-8,8G
17	531206731	10300230	washer	1	D.6 DIN128 TIPO B ZNT
18	531207860	10832200	washer	1	6x24x2
20	531207022	10330233	lever	1	
21	531206710	10300000	right rear wheel	1	DX (YELLOW)
21	531206709	1030000E	whell	1	DX (GREY)
22	531206727	10300190	Benzing ring	2	DIN 6799 D.15
23	531206712	10300010	left rear wheel	1	15x6 SX (YELLOW)
23	531206711	1030001E	whell	1	15X6 SX (GREY)
26	531204904	10066300	washer	1	8x24x2
39	531207007	10330100	gear pulley	1	
40	531207014	10330162	level	1	
41	531208451	20231200	lock ring	1	D 15/E
42	531207026	10330270	tab	1	4,75X7,6X18,6
43	531207024	10330253	knob	1	
44	531207027	10330290	washer	1	MM.D.8,5X27X
45	531206653	10281400	cotter pin	2	1,8 x 33
46	531207016	10330170	rod	1	
47	531207025	10330260	spacer	1	D. 20,5/30/0,3-C72
48	531208576	20330310	inner tube	2	

brand	QUELLE
-------	---------------

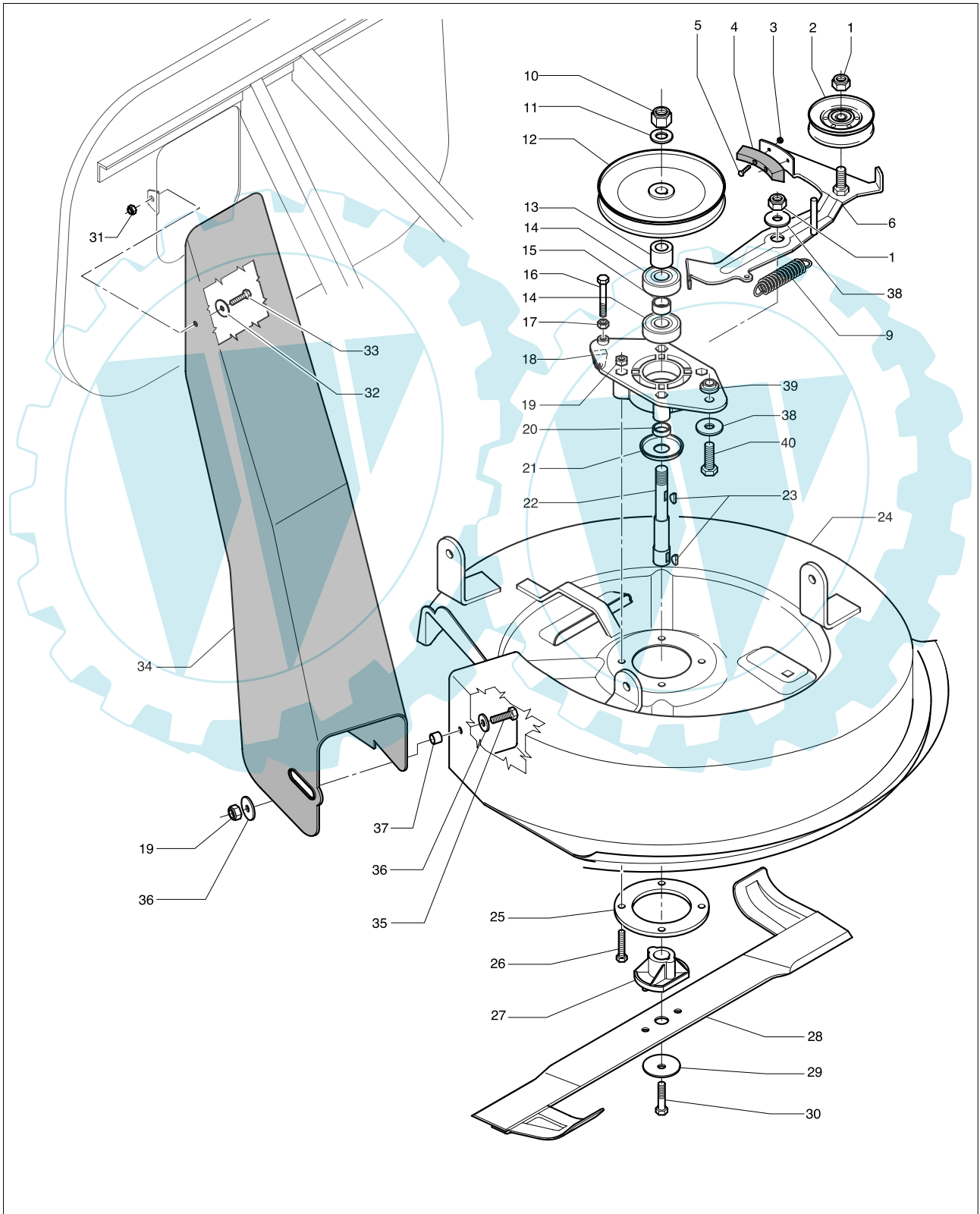
date	JAN/03	SHEET 5/16
------	--------	------------

Model

UNIROPA

Product number

953878363



brand	QUELLE
-------	---------------

date	JAN/03	SHEET 6/16
------	--------	------------

Model

UNIROPA

Product number

953878363

Pos.	PN ELX	PN MEP	DESCRIPTION	Q.ty	NOTE
1	531206835	10301560	nut	2	M12 ALTO CL.6
2	531206834	10301550	belt-tightener wheel	1	
3	531208492	20282100	nut	2	M5 H7 UNI7473-ZB
4	531206836	10301580	cutter brake ferodo	1	
5	531207838	10830300	screw	1	TE M5x16 UNI 5739-8,8-ZB
6	531206833	10301510	cutter belt-tightener lever	1	
9	531206896	10302640	cutter-tightener spring	1	D.22x104x2.8
10	531206831	10301490	nut	1	M16 UNI 7473 CL.8.8 AUTO
11	531206744	10300380	washer	1	D17x30x2.5 UNI6592 ZNT
12	531206829	10301470	pulley	1	D.178 FORO D.16
13	531206828	10301460	spacer	1	D.17x30x25,5 ZNT
14	531206830	10301480	bearing	2	6304-2RS
15	531206818	10301360	internal spacer	1	
16	531207105	10407600	screw	1	TE M8x70 UNI 5737-8,8-ZB
17	531207982	20106300	nut	1	M8 H8 UNI 5587-6S ZB
18	531206934	10302980	complete hub	1	
19	531208599	20404900	nut	5	M8 H10 UNI7473-ZB
20	531206821	10301390	spacer	1	D.20x25x7
21	531206823	10301410	eccentric hood	1	
22	531206819	10301370	blade support shaft	1	
23	531204907	10100900	tab	2	4x6,5 UNI6606 WODRUF
24	531206816	10301303	complete plate	1	
25	531206822	10301400	reinforcement flange	1	
26	531204905	10069100	screw	4	TE M8x45 UNI 5739-8,8-ZB
27	531206824	10301420	bearing blade	1	
28	531211151	10330500	blade	1	
29	531207237	10530900	washer	1	11x50x2,5
30	531208008	20120580	screw	1	TE 3/8 UNFx37-8,8 1/2F ZB
31	531208491	20281800	nut	1	M6 H8 UNI7473-ZB
32	531207860	10832200	washer	1	6x24x2
33	531208053	20122600	screw	1	M6x20 TE FL
34	531206840	10301653	grass loading tunnel	1	TE M8x35 UNI 5739-8,8-ZB
35	531205196	10121700	screw	1	
36	531206842	10301670	washer	2	D.8.5x32x2.5 UNI6593
37	531206838	10301600	spacer	1	D.10X14X16 ZNT
38	531206943	10303070	washer	2	D.12,5X36X2,5 Z
39	531206942	10303060	bushing	1	
40	531206944	10303080	screw	1	TE M12X35-8.8-UNI5739 ZB

brand	QUELLE
-------	---------------

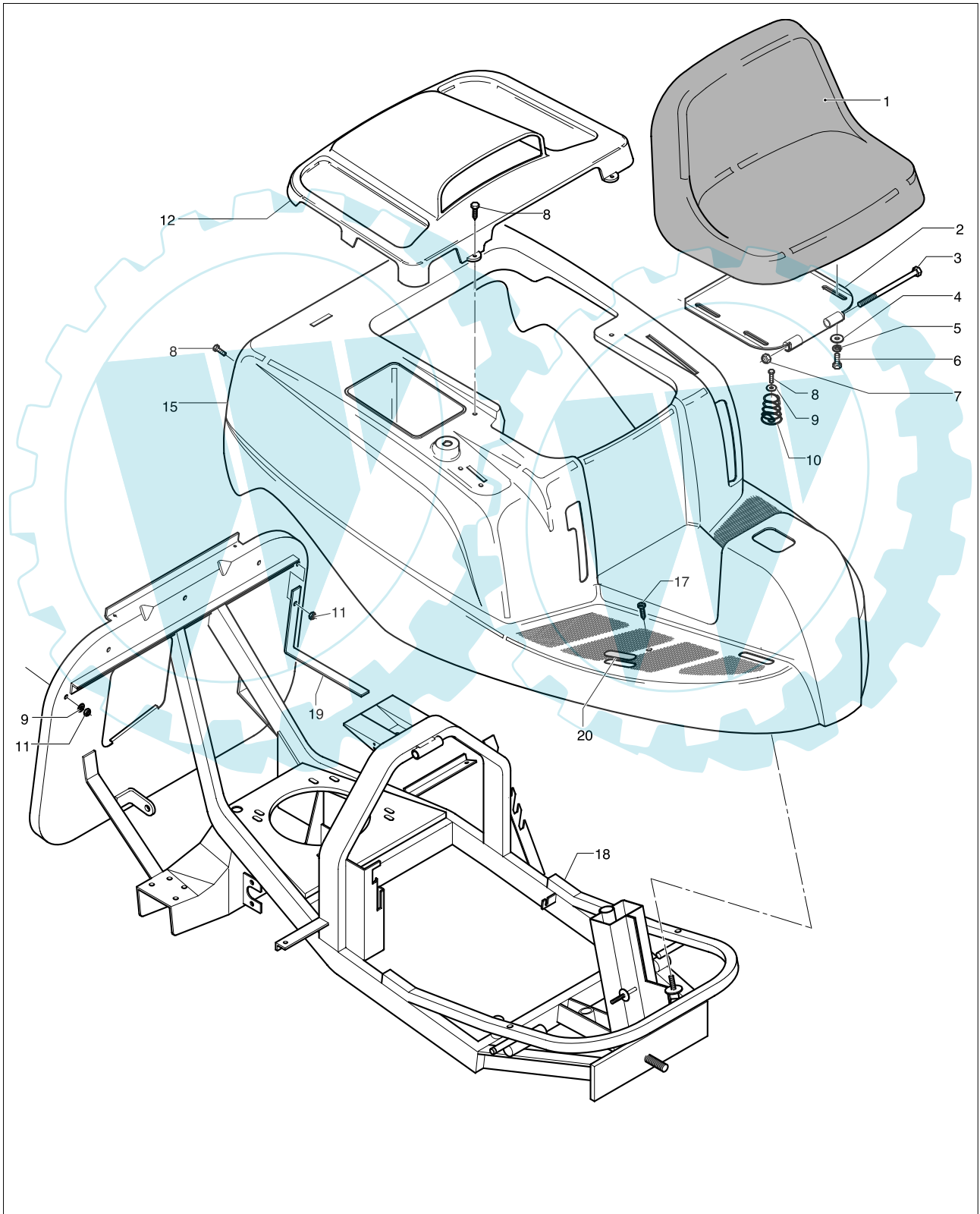
date	JAN/03	SHEET 7/16
------	--------	------------

Model

UNIROPA

Product number

953878363



brand	QUELLE
-------	---------------

date	JAN/03	SHEET 8/16
------	--------	------------

Model

UNIROPA

Product number

953878363

Pos.	PN ELX	PN MEP	DESCRIPTION	Q.ty	NOTE
1	531206749	10300453	steering wheel	1	D.340 N.2 RAZZE
2	531206750	10300460	pin	1	6x60
3	531206929	10302920	red-green led	1	
4	531207002	10330043	steering cover tube	1	
5	531206751	10300470	steering shaft	1	D.20x590
7	531206727	10300190	Benzing ring	1	DIN 6799 D.15
8	531206725	10300160	spacer	1	ITT 20,2x30x1
9	531206757	10300530	nylon bushing	2	20x25x30
10	531206742	10300360	bearing	6	D.16,25X20=
11	531206756	10300520	pin	1	8x36 UNI6875
12	531206753	10300490	steering gear	1	M.3.5
13	531206747	10300430	steering bevel gear	1	
14	531206617	10239900	washer	4	8E
15	531206745	10300410	steering arm	2	
16	531207982	20106300	nut	4	M8 H8 UNI 5587-6S ZB
17	531206744	10300380	washer	8	D17x30x2.5 UNI6592 ZNT
18	531206737	10300300	wheel bearing	1	DX
19	531208555	20302930	nylon bushing	4	
20	531206714	10300020	front wheel	2	11x4.00-4 (280X11) yellow
20	531206713	1030002E	whell	2	11x4.00-4(280x110) grey
21	531206738	10300320	left wheel bearing	1	SX
22	531206736	10300283	front axle	1	
23	531206740	10300340	belleville washer	1	D.16,5x34x3,5
24	531206741	10300350	washer	1	D.18x48x4 UNI6593 ZNT
25	531206739	10300330	nut	2	M16 UNI 5588 ZNT
26	531206926	10302850	Benzing ring	5	D.12
27	531208575	20330300	inner tube	2	

brand	QUELLE
-------	---------------

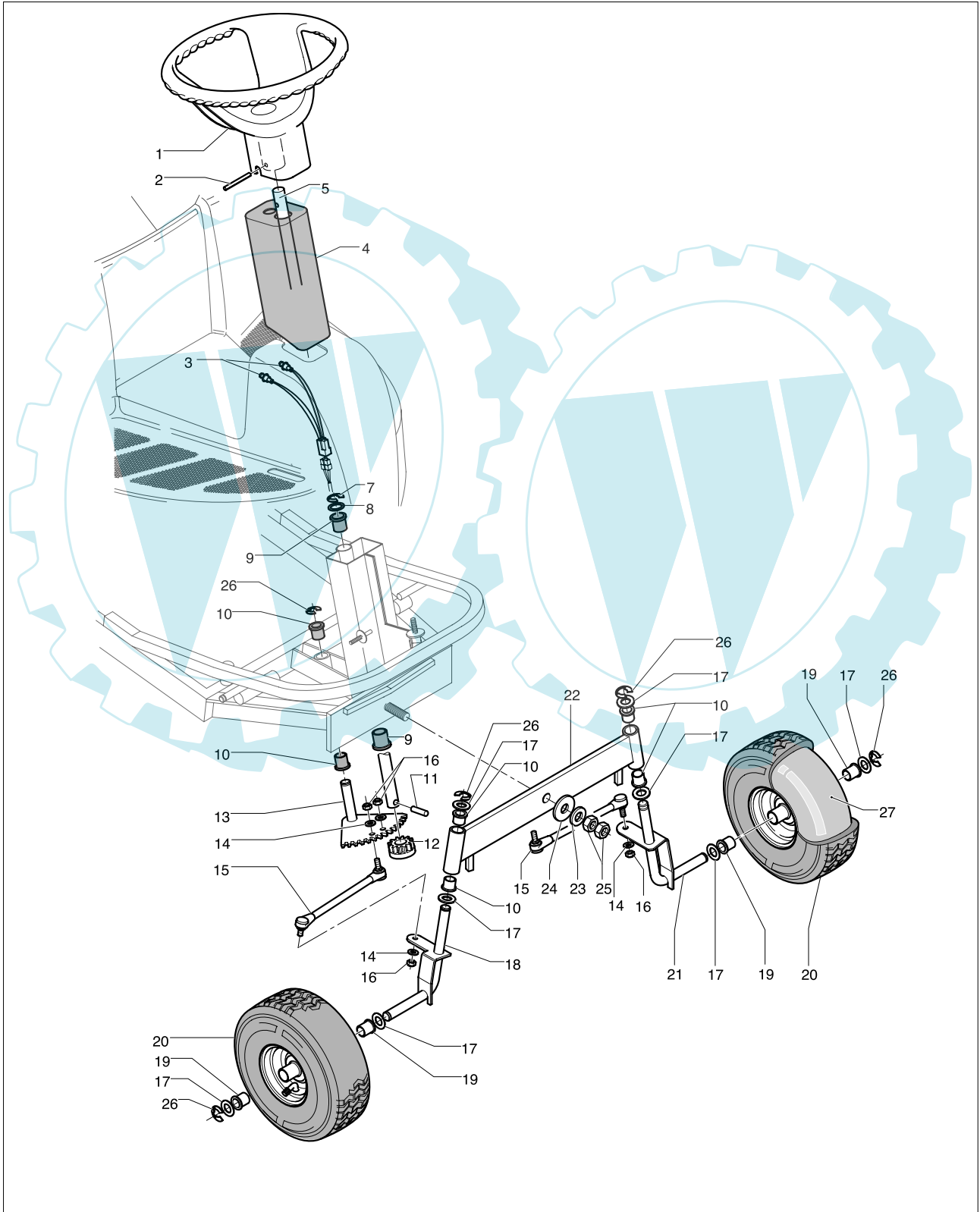
date	JAN/03	SHEET 9/16
------	--------	------------

Model

UNIROPA

Product number

953878363



brand	QUELLE
-------	---------------

date	JAN/03	SHEET10/16
------	--------	------------

Model

UNIROPA

Product number

953878363

Pos.	PN ELX	PN MEP	DESCRIPTION	Q.ty	NOTE
1	531206749	10300453	steering wheel	1	D.340 N.2 RAZZE
2	531206750	10300460	pin	1	6x60
3	531206929	10302920	red-green led	1	
4	531207002	10330043	steering cover tube	1	
5	531206751	10300470	steering shaft	1	D.20x590
7	531206727	10300190	Benzing ring	1	DIN 6799 D.15
8	531206725	10300160	spacer	1	ITT 20,2x30x1
9	531206757	10300530	nylon bushing	2	20x25x30
10	531206742	10300360	bearing	6	D.16,25X20=
11	531206756	10300520	pin	1	8x36 UNI6875
12	531206753	10300490	steering gear	1	M.3.5
13	531206747	10300430	steering bevel gear	1	
14	531206617	10239900	washer	4	8E
15	531206745	10300410	steering arm	2	
16	531207982	20106300	nut	4	M8 H8 UNI 5587-6S ZB
17	531206744	10300380	washer	8	D17x30x2.5 UNI6592 ZNT
18	531206737	10300300	wheel bearing	1	DX
19	531208555	20302930	nylon bushing	4	
20	531206714	10300020	front wheel	2	11x4.00-4 (280X11) yellow
20	531206713	1030002E	whell	2	11x4.00-4(280x110) grey
21	531206738	10300320	left wheel bearing	1	SX
22	531206736	10300283	front axle	1	
23	531206740	10300340	belleville washer	1	D.16,5x34x3,5
24	531206741	10300350	washer	1	D.18x48x4 UNI6593 ZNT
25	531206739	10300330	nut	2	M16 UNI 5588 ZNT
26	531206926	10302850	Benzing ring	5	D.12
27	531208575	20330300	inner tube	2	

brand	QUELLE
-------	---------------

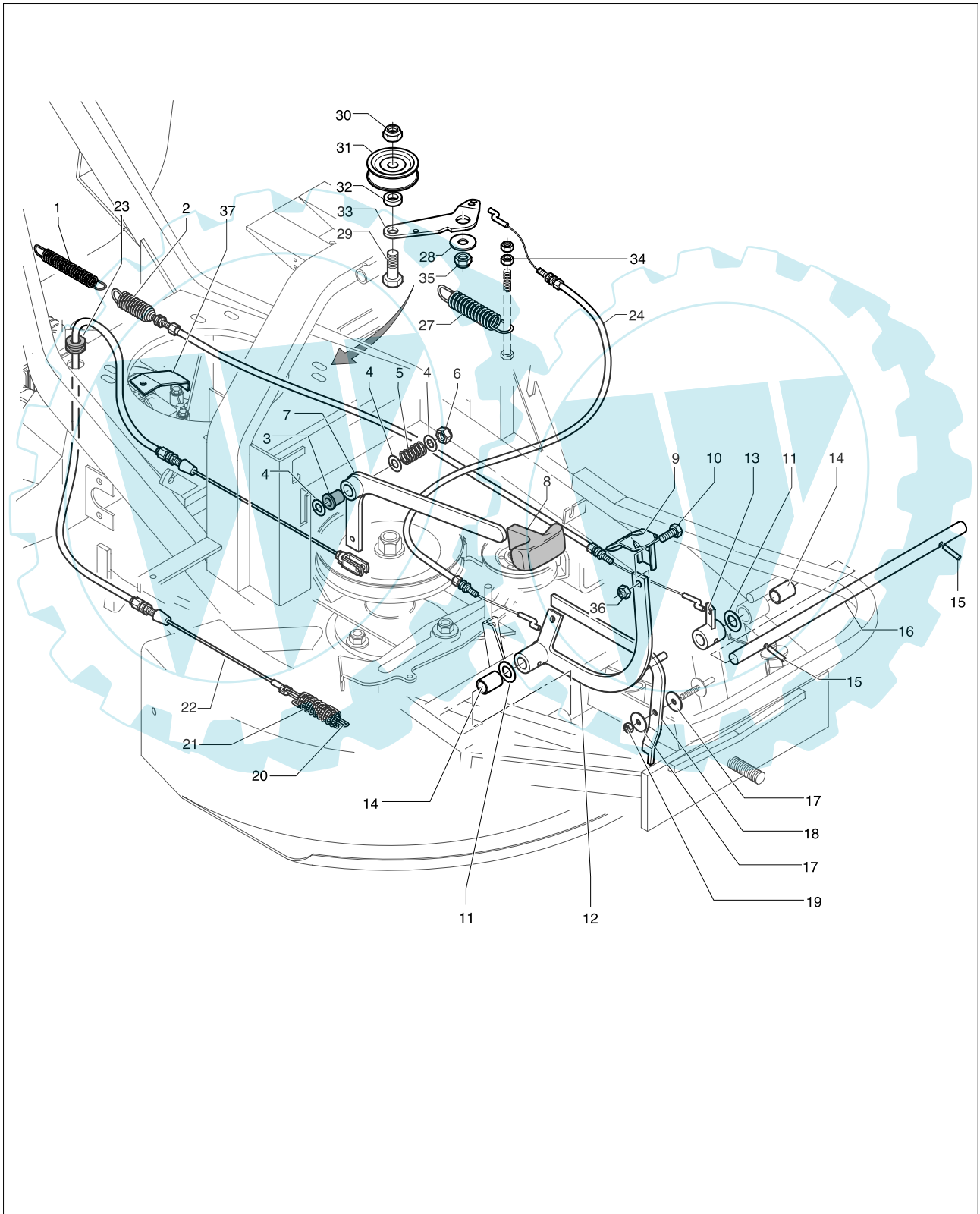
date	JAN/03	SHEET11/16
------	--------	------------

Model

UNIROPA

Product number

953878363



brand	QUELLE
-------	---------------

date	JAN/03	SHEET12/16
------	--------	------------

Model

UNIROPA

Product number

953878363

Pos.	PN ELX	PN MEP	DESCRIPTION	Q.ty	NOTE
1	531207029	10330360	spring	1	
2	531206811	10301190	comp.brake transmission	1	
3	531206801	10301060	nylon bushing	1	
4	531206760	10300580	thickness element	3	D.10.1x19x0.3 ITT
5	531206759	10300560	spring	1	
7	531206758	10300550	blade coupling lever	1	
8	531207024	10330253	knob	1	
9	531206773	10300743	comp.brake pedal	1	
10	531208585	20382300	screw	1	TE M8x20 UNI 5739-8.8-ZB
11	531206782	10300850	spacer	2	D.15,2x22x0,5 ITT
12	531207004	10330070	brake pedal lever	1	
13	531206777	10300780	wire hitch bushing	1	
14	531206776	10300770	nylon bushing	2	
15	531206772	10300720	resilient pin	2	14x1 5x30 Din 7343 C70-C72
16	531206775	10300760	brake pedal sup.shaft	1	
17	531207860	10832200	washer	2	6x24x2
18	531207005	10330082	brake lever	1	
19	531208491	20281800	nut	1	M6 H8 UNI7473-ZB
20	531206765	10300630	washer hook	2	
21	531206779	10300820	spring	1	D.20x61x3 ZNT TROP.
22	531206762	10300600	comp.transmission	1	
23	531206763	10300610	guiding slit	1	
24	531207012	10330150	cable	1	
27	531207017	10330180	spring	1	
28	531207989	20113000	washer	1	10x30x2,5
29	531206944	10303080	screw	1	TE M12X35-8.8-UNI5739 ZB
30	531206835	10301560	nut	1	M12 ALTO CL.6
31	531207019	10330200	pulley	1	
32	531207020	10330210	bushing	1	D.12X20X6HZB
33	531207018	10330190	lever	1	
34	531207982	20106300	nut	2	M8 H8 UNI 5587-6S ZB
35	531207161	10501160	nut	2	M10 H12 UNI7473-ZB
36	531208599	20404900	nut	1	M8 H10 UNI7473-ZB
37	531207032	10330390	plate	1	

brand	QUELLE
-------	---------------

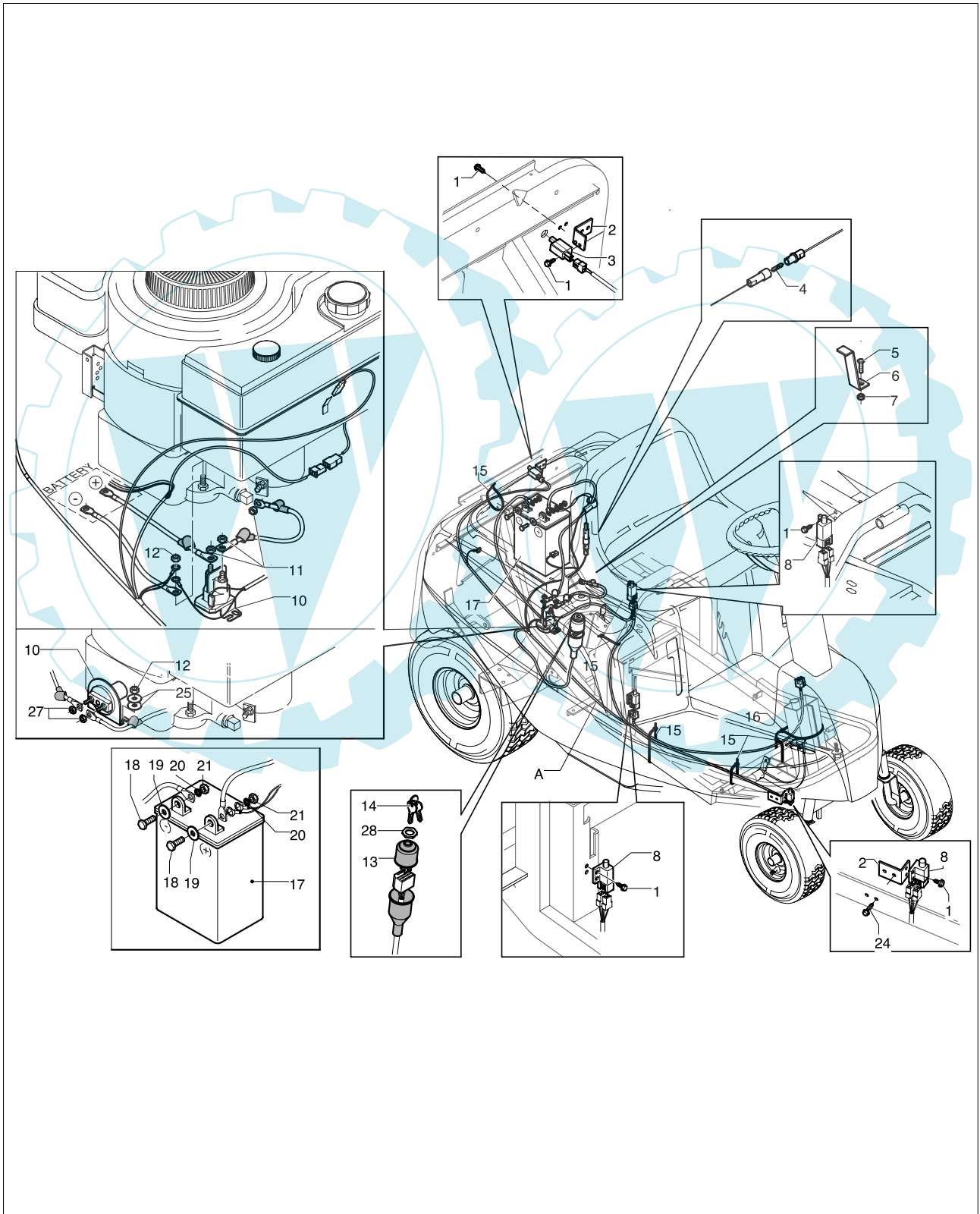
date	JAN/03	SHEET13/16
------	--------	------------

Model

UNIROPA

Product number

953878363



brand	QUELLE
-------	---------------

date	JAN/03	SHEET14/16
------	--------	------------

Model

UNIROPA

Product number

953878363

Pos.	PN ELX	PN MEP	DESCRIPTION	Q.ty	NOTE
A	531206865	10301990	comp.electrical wiring	1	
1	531206910	10302680	screw	10	TE.FR. D.5.5x13 Z
2	531206871	10302050	microswitch support	2	
3	531206870	10302040	microswitch	1	
4	531206932	10302960	fuse	1	16A
5	531206921	10302800	screw	1	TPSE M8x20 -10.9 UNI 5933
6	531206872	10302060	battery support	1	
7	531208599	20404900	nut	1	M8 H10 UNI7473-ZB
8	531206868	10302020	microswitch	3	
10	531206931	10302950	solenoid valve	1	
11	531206752	10300480	nut	3	1/4" UNC ZNT
12	531207982	20106300	nut	1	M8 H8 UNI 5587-6S ZB
13	531206863	10301970	ignition block	1	
14	531206864	10301980	ignition keys	2	
15	531206919	10302780	clamp	4	3,6x200
16	531206923	10302820	clamp	1	3,6x370
17	531206866	10302000	battery	1	6IF130-12V-22AH
18	531208660	20501370	screw	2	TE M6x20 UNI 5739-8,8-ZB
19	531205377	10126000	washer	2	6x18x1,5
20	531206731	10300230	washer	2	D.6 DIN128 TIPO B ZNT
21	531207165	10501200	nut	2	M6 H6 UNI 5587-6S-ZB
24	531207028	10330320	screw	2	TE FR D.55X16 UNI
25	531204904	10066300	washer	2	8x24x2
27	531207165	10501200	nut	2	M6 H6 UNI 5587-6S-ZB
28	531206893	10302620	metal ring	1	DSI P/N 9256

brand	QUELLE
-------	---------------

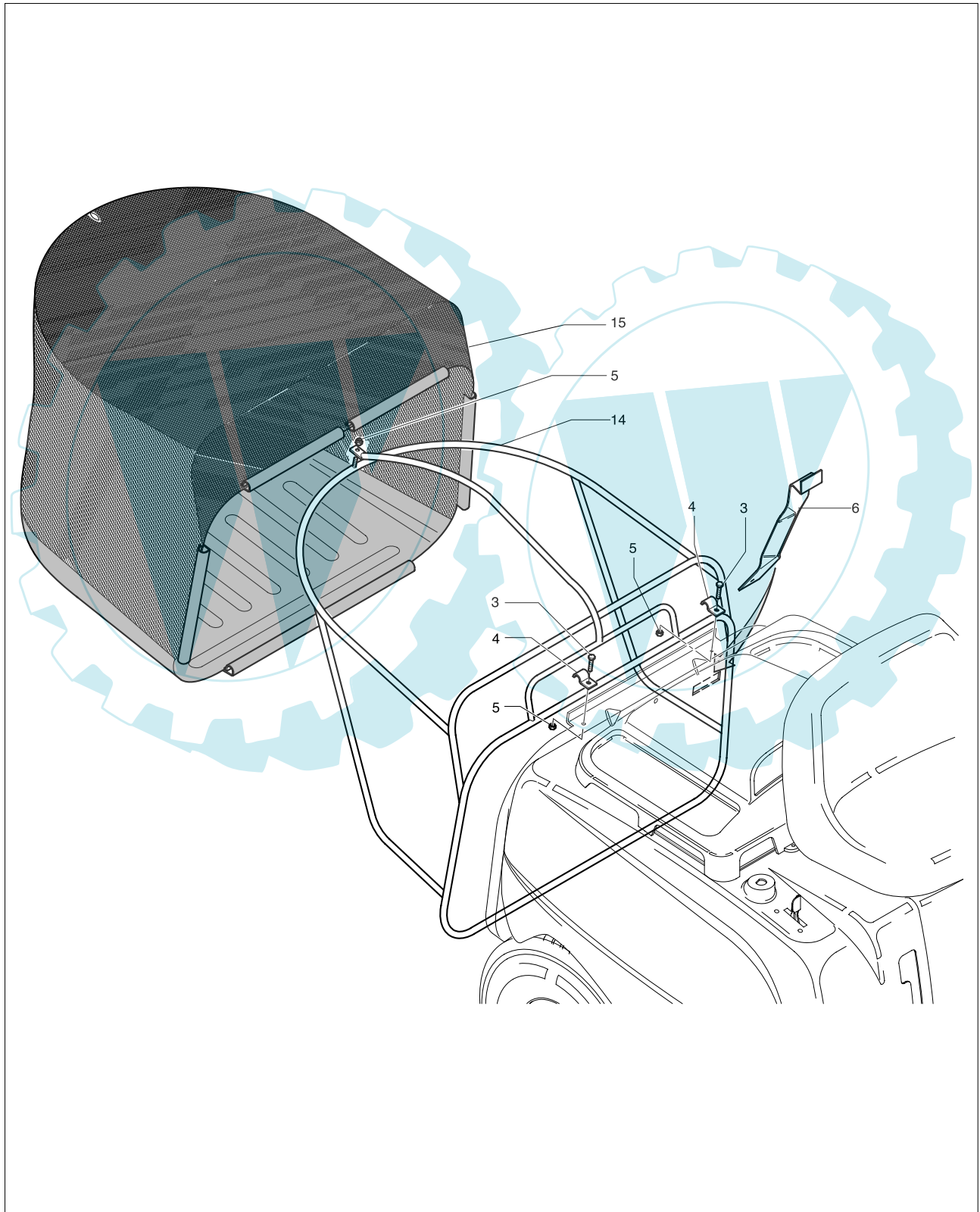
date	JAN/03	SHEET15/16
------	--------	------------

Model

UNIROPA

Product number

953878363





Service

brand	QUELLE
-------	---------------

ELECTROLUX OUTDOOR PRODUCTS

date	JAN/03	SHEET16/16
------	--------	------------

Model

UNIROPA

Product number

953878363

Pos.	PN ELX	PN MEP	DESCRIPTION	Q.ty	NOTE
3	531208769	20655100	screw	2	TE M6x16 UNI 5739-8,8-ZB
4	531206852	10301800	bin fixture plate	2	
5	531208491	20281800	nut	3	M6 H8
6	531206788	10300920	full bin monitor plate	1	
14	531207008	10330113	bin frame	1	
15	531207009	10330123	bin fabric covering	1	

